

# RONBAR

ELECTRICAL MANUFACTURER AND DISTRIBUTOR

# MONKEY CLIPS

FIXINGS FOR ALL ELECTRICAL INSTALLATIONS

RONBAR  
VH57



OUR RANGE OF FIXINGS INCLUDES EVERYTHING FROM EDGE CLIPS TO THREADED ROD HANGERS, BEAM CLIPS TO PURLIN CLIPS AND CEILING CLIPS. WE HAVE FIXINGS FOR ALL YOUR INSTALLATION NEEDS.

# WHO WE ARE...



## Ronbar was founded in 1977 by Ronald William Buckingham

Ronbar has developed over the last 44 years into one of the leading manufacturers and innovators of flexible conduits and associated accessories.

Our top management team have over 135 years combined experience in our field of electrical manufacturing and distribution, our staff members are highly trained in all aspects of our products and are here to deliver the highest standard of service.

**RONBAR IS STILL AN INDEPENDENT FAMILY OWNED COMPANY.**



**BASED IN THE NORTH  
EAST OF ENGLAND OUR  
MANUFACTURING PLANT,  
WAREHOUSING AND  
HEAD OFFICE OPERATES  
WITH A COMBINED  
FLOOR AREA OF OVER  
120,000 SQUARE FEET.**



## **OUR GREAT PRODUCED RANGE**

- Flexible and Pliable Wiring Conduit
- Spring Steel Girder Fixings and Clamps
- Industrial Plugs and Sockets BS4343
- Lockable Steel Enclosures
- Earth Bars
- Thread Converters
- PVC & Heat Shrink Sleeving's
- Copper Tube Terminals
- Earthing Products
- Nylon Cable Glands
- Armoured Glands BW, CW, CXT, A2
- Cable Cleats & Cable Clips
- Catenary Wire
- Wiring Grommets
- Industrial Cable Ties
- Fixing Band
- Cable Jointing Kits and Accessories
- Industrial PVC Tape
- Din Rail
- Underground Burial Conduit
- Pyro Clips
- Anti-Vandal Guard (Bell Capping)
- ATEX Thread Reducers, Stopping Plugs
- Pre Insulated Terminals, Cord End Terminals
- Galvanised Rigid Conduit\* and Accessories
- Strut Channel\* and Accessories

\*Available for collection only or extra carriage charges for delivery.

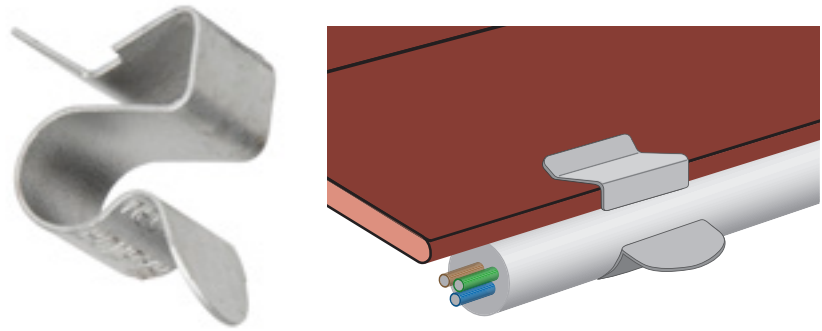
Please note: The information given is provided on the basis that errors, omissions and amendments are excepted. As part of the programme of on-going product development, Ronbar reserves the right to change product specifications without prior notice. All information provided is correct at the time of first publication, whether in digital or print form. Third party approvals where indicated may apply only to certain product sizes, please check with us for clarification. Application information and product data is provided for guidance only and does not constitute a warranty of any kind whether expressed or implied in respect of Ronbar products or their suitability for a particular purpose.

## Cable Run Edge Clips

### Technical data

- For quick fixing of cables.

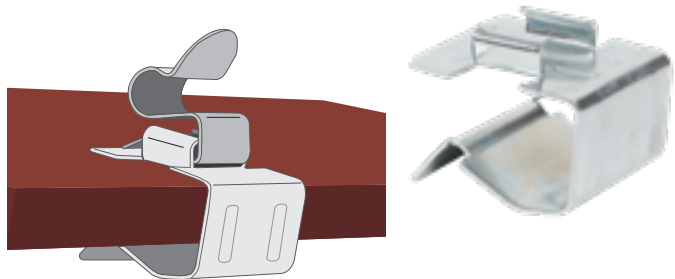
Code	Girder Size	Cable Diameter
SEC-67	2 - 4 mm	6 - 7 mm
SEC-89	2 - 4 mm	8 - 9 mm
SEC-1011	2 - 4 mm	10 - 11 mm
SEC-1214	2 - 4 mm	12 - 14 mm
SEC-1518	2 - 4 mm	15 - 18 mm
SEC-1924	2 - 4 mm	19 - 24 mm
SEC-2530	2 - 4 mm	25 - 30 mm
MEC-67	4 - 7 mm	6 - 7 mm
MEC-89	4 - 7 mm	8 - 9 mm
MEC-1011	4 - 7 mm	10 - 11 mm
MEC-1214	4 - 7 mm	12 - 14 mm
MEC-1518	4 - 7 mm	15 - 18 mm
MEC-1924	4 - 7 mm	19 - 24 mm
MEC-2530	4 - 7 mm	25 - 30 mm
LEC-67	8 - 12 mm	6 - 7 mm
LEC-89	8 - 12 mm	8 - 9 mm
LEC-1011	8 - 12 mm	10 - 11 mm
LEC-1214	8 - 12 mm	12 - 14 mm
LEC-1518	8 - 12 mm	15 - 18 mm
LEC-1924	8 - 12 mm	19 - 24 mm
LEC-2530	8 - 12 mm	25 - 30 mm



## Adaptor For Fastening Cable Run Edge Clips

### Technical data

- For quick fixing of SEC Clips.

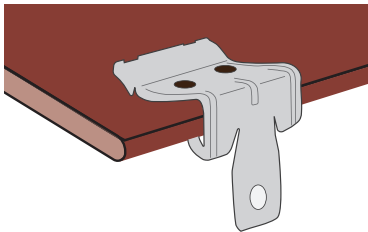


Code	Girder Size	Use with
AEC1215	12 - 15mm	SEC
AEC1520	15 - 20mm	SEC

## Beam Clip

### Technical data

- Loading: 70 Kg
- HH-2330 Loading 45 Kg\*
- With fixing hole (Ø 6.3 mm) vertical to fix S-hook, bolt/nut

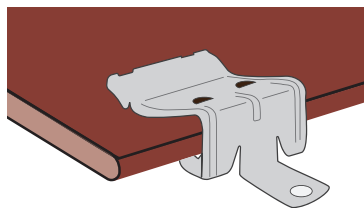


Code	Girder Size
HH-154	1.5 - 4 mm
HH-410	4 - 10 mm
HH-1015	10 - 15 mm
HH-1520	15 - 20 mm
HH-2330*	23 - 30 mm

## Beam Clip With Rod Hanger M6

### Technical data

- Loading: 20 Kg



Code	Girder Size	Thread Size
HHB-410	4 - 10 mm	M6
HHB-1015	10 - 15 mm	M6



## Beam Clip With Cable Tie

### Technical data

- With Metal saddle for cable tie attachment

Code	Girder Size
HH154-CTMET	1.5 - 4 mm
HH410-CTMET	4 - 10 mm
HH1015-CTMET	10 - 15 mm
HH1520-CTMET	15 - 20 mm



## Beam Clip With Cable Tie

### Technical data

- With saddle for cable tie attachment

Code	Girder Size
HH154-CTM	1.5 - 4 mm
HH410-CTM	4 - 10 mm
HH1015-CTM	10 - 15 mm
HH1520-CTM	15 - 20 mm



## Beam Clip with M6 Stud

### Technical data

- Loading: 20 Kg

Code	Girder Size	Stud Size
HHBS-410	4 - 10 mm	M6 X9
HHBS-1015	10 - 15 mm	M6 X9



## Beam Clip With Threaded Rod

### Technical data

- Max Loading: 68 Kg

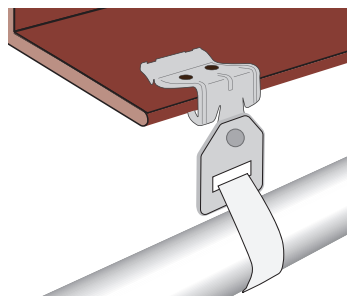
Code	Girder Size	Rod Size
HH154-VRH6T	1.5 - 4 mm	M6
HH154-VRH8T	1.5 - 4 mm	M8
HH154-VRH10T	1.5 - 4 mm	M10
HH410-VRH6T	4 - 10 mm	M6
HH410-VRH8T	4 - 10 mm	M8
HH410-VRH10T	4 - 10 mm	M10
HH1015-VRH6T	10 - 15 mm	M6
HH1015-VRH8T	10 - 15 mm	M8
HH1015-VRH10T	10 - 15 mm	M10
HH1520-VRH6T	15 - 20 mm	M6
HH1520-VRH8T	15 - 20 mm	M8
HH1520-VRH10T	15 - 20 mm	M10



## Beam Clip With Support Strap

### Technical data

- Loading: 45 Kg



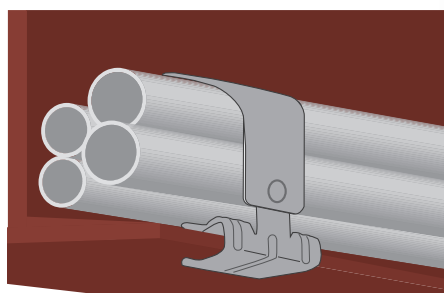
Code	Girder Size	Max Strap Size
HH154-VSH65	1.5 - 4 mm	28 mm x 6.5 mm
HH410-VSH65	4 - 10 mm	28 mm x 6.5 mm
HH1015-VSH65	10 - 15 mm	28 mm x 6.5 mm
HH1520-VSH65	15 - 20 mm	28 mm x 6.5 mm

## Beam Clip With Flexible Strip

### Technical data

- With flexible strip to support cables

Code	Girder Size
HH154-B	1.5 - 4 mm
HH410-B	4 - 10 mm
HH1015-B	10 - 15 mm
HH1520-B	15 - 20 mm

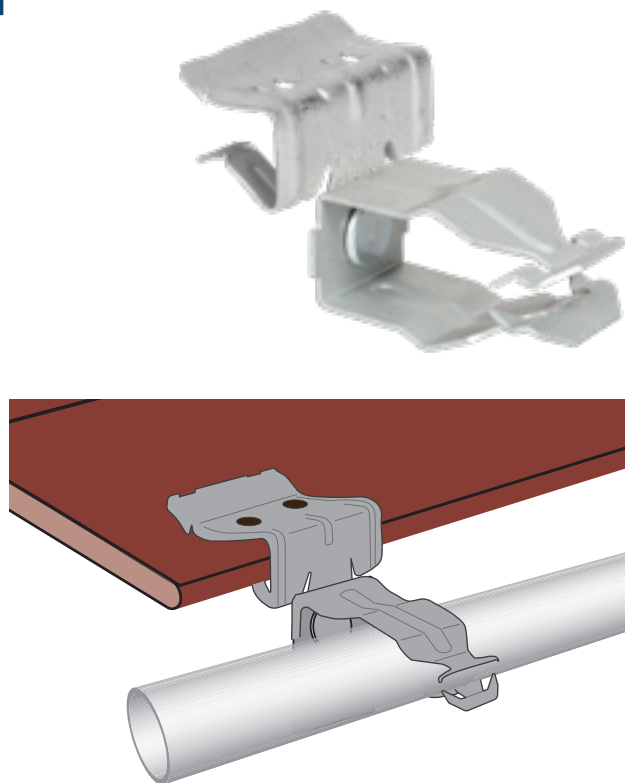


## Beam Clip With Conduit Combination

### Technical data

- Max Loading: 7 Kg

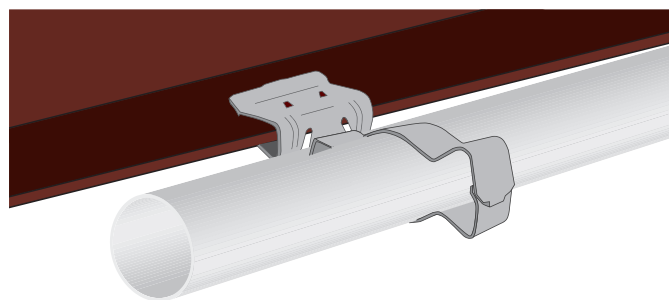
Code	Girder Size	Conduit Size Ø
HH154-OCC1822	1.5 - 4 mm	18 - 22 mm
HH154-OCC2230	1.5 - 4 mm	22 - 30 mm
HH154-OCC3035	1.5 - 4 mm	30 - 35 mm
HH410-OCC1822	4 - 10 mm	18 - 22 mm
HH410-OCC2230	4 - 10 mm	22 - 30 mm
HH410-OCC3035	4 - 10 mm	30 - 35 mm
HH1015-OCC1822	10 - 15 mm	18 - 22 mm
HH1015-OCC2230	10 - 15 mm	22 - 30 mm
HH1015-OCC3035	10 - 15 mm	30 - 35 mm
HH1520-OCC1822	15 - 20 mm	18 - 22 mm
HH1520-OCC2230	15 - 20 mm	22 - 30 mm
HH1520-OCC3035	15 - 20 mm	30 - 35 mm



## Beam Clip With Locking Unit Combination

### Technical data

- Max Loading: 7 Kg



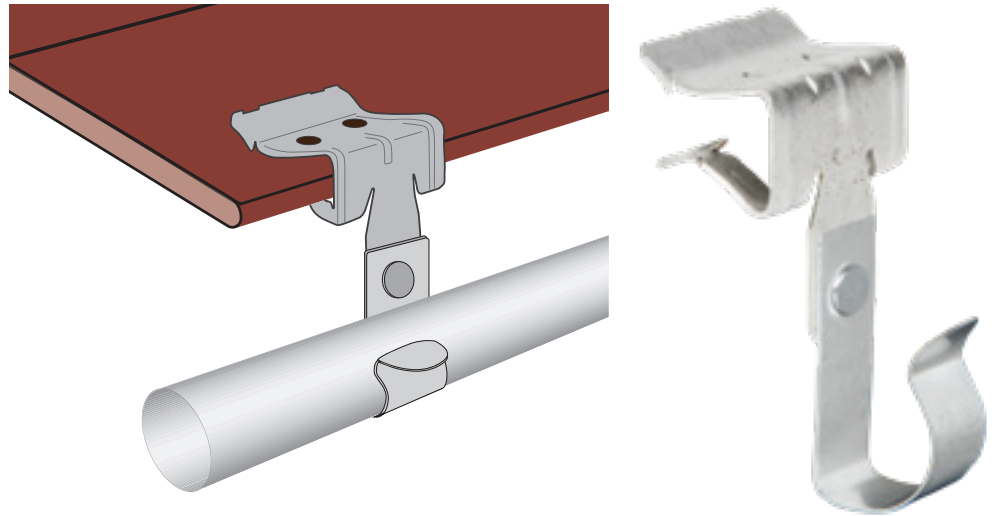
Code	Girder Size	Conduit Size Ø
HH154-CC1219	1.5 - 4 mm	12 - 19 mm
HH154-CC1926	1.5 - 4 mm	19 - 26 mm
HH154-CC2632	1.5 - 4 mm	26 - 32 mm
HH410-CC1219	4 - 10 mm	12 - 19 mm
HH410-CC1926	4 - 10 mm	19 - 26 mm
HH410-CC2632	4 - 10 mm	26 - 32 mm

Code	Girder Size	Conduit Size Ø
HH1015-CC1219	10 - 15 mm	12 - 19 mm
HH1015-CC1926	10 - 15 mm	19 - 26 mm
HH1015-CC2632	10 - 15 mm	26 - 32 mm
HH1520-CC1219	15 - 20 mm	12 - 19 mm
HH1520-CC1926	15 - 20 mm	19 - 26 mm
HH1520-CC2632	15 - 20 mm	26 - 32 mm

## Beam Clip

### Technical data

- For quick fixing of Conduit.



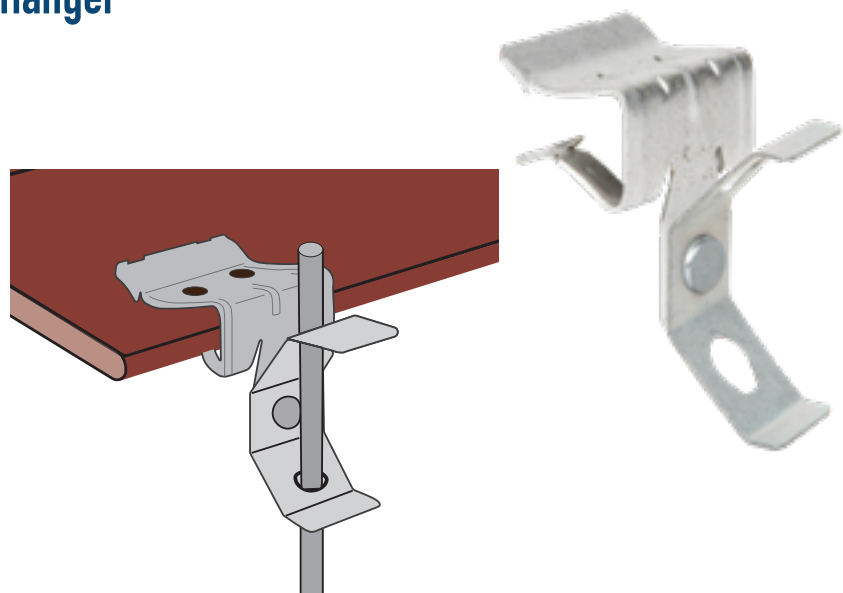
Code	Girder Size	Conduit Size Ø	Code	Girder Size	Conduit Size Ø
HH154-S1214	1.5 - 4 mm	12 - 14 mm	HH1015-S1214	10 - 15 mm	12 - 14 mm
HH154-S1518	1.5 - 4 mm	15 - 18 mm	HH1015-S1518	10 - 15 mm	15 - 18 mm
HH154-S1924	1.5 - 4 mm	19 - 24 mm	HH1015-S1924	10 - 15 mm	19 - 24 mm
HH154-S2530	1.5 - 4 mm	25 - 30 mm	HH1015-S2530	10 - 15 mm	25 - 30 mm
HH154-S3135	1.5 - 4 mm	31 - 35 mm	HH1015-S3135	10 - 15 mm	31 - 35 mm
HH154-S3640	1.5 - 4 mm	36 - 40 mm	HH1015-S3640	10 - 15 mm	36 - 40 mm
HH154-S4145	1.5 - 4 mm	41 - 45 mm	HH1015-S4145	10 - 15 mm	41 - 45 mm
HH154-S4650	1.5 - 4 mm	46 - 50 mm	HH1015-S4650	10 - 15 mm	46 - 50 mm
HH410-S1214	4 - 10 mm	12 - 14 mm	HH1520-S1214	15 - 20 mm	12 - 14 mm
HH410-S1518	4 - 10 mm	15 - 18 mm	HH1520-S1518	15 - 20 mm	15 - 18 mm
HH410-S1924	4 - 10 mm	19 - 24 mm	HH1520-S1924	15 - 20 mm	19 - 24 mm
HH410-S2530	4 - 10 mm	25 - 30 mm	HH1520-S2530	15 - 20 mm	25 - 30 mm
HH410-S3135	4 - 10 mm	31 - 35 mm	HH1520-S3135	15 - 20 mm	31 - 35 mm
HH410-S3640	4 - 10 mm	36 - 40 mm	HH1520-S3640	15 - 20 mm	36 - 40 mm
HH410-S4145	4 - 10 mm	41 - 45 mm	HH1520-S4145	15 - 20 mm	41 - 45 mm
HH410-S4650	4 - 10 mm	46 - 50 mm	HH1520-S4650	15 - 20 mm	46 - 50 mm

## Beam Clip With Adjustable Rod Hanger

### Technical data

- Max Loading: 20 Kg

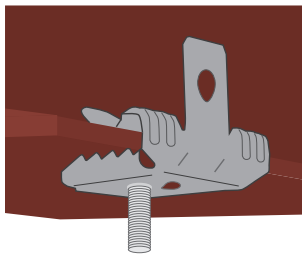
Code	Girder Size	Rod Size
HH154-PRC4	1.5 - 4 mm	4
HH154-PRC6	1.5 - 4 mm	6
HH410-PRC4	4 - 10 mm	4
HH410-PRC6	4 - 10 mm	6
HH1015-PRC4	10 - 15 mm	4
HH1015-PRC6	10 - 15 mm	6
HH1520-PRC4	15 - 20 mm	4
HH1520-PRC6	15 - 20 mm	6



## Universal Beam Clip With Stud Bolt M6

### Technical data

- With stud bolt M6 x 8 mm for fixing of clamp, conduit junction box
- Max Loading: 33 Kg

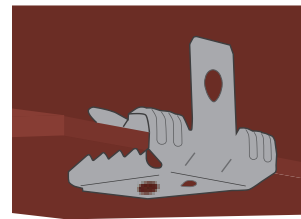


Code	Girder Size	Stud
HC-37S	3 - 7 mm	M6
HC-713S	7 - 13 mm	M6
HC-1420S	14 - 20 mm	M6

## Universal Beam Clip

### Technical data

- With female thread M6
- Max Loading: 45 Kg

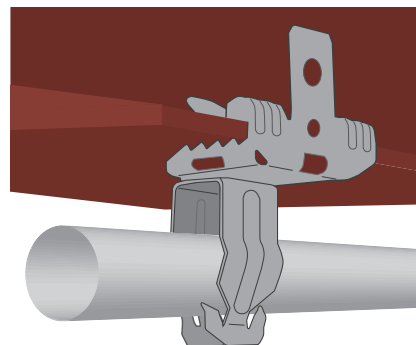


Code	Girder Size	Thread Size
HC-37	3 - 7 mm	M6
HC-713	7 - 13 mm	M6
HC-1420	14 - 20 mm	M6

## Universal Beam Clip / Conduit Clip

### Technical data

- Max Loading: 11 Kg



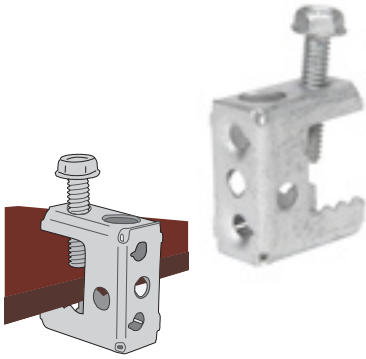
Code	Girder Size	Conduit Size Ø
HC37-OCC1822	3 - 7 mm	18-22 mm
HC37-OCC2230	3 - 7 mm	22-30 mm
HC37-OCC3035	3 - 7 mm	30-35 mm
HC713-OCC1822	7 - 13 mm	18-22 mm
HC713-OCC2230	7 - 13 mm	22-30 mm
HC713-OCC3035	7 - 13 mm	30-35 mm
HC1420-OCC1822	14 - 20 mm	18-22 mm
HC1420-OCC2230	14 - 20 mm	22-30 mm
HC1420-OCC3035	14 - 20 mm	30-35 mm



## Master Clamp

### Technical data

- Thread connector M6
- Steel construction with a zinc plate finish
- Max Loading: 20 Kg

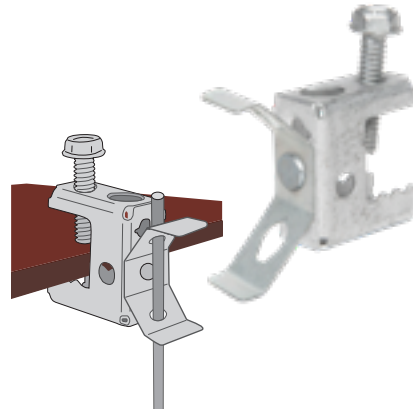


Code	Girder Size
FC-107	≤16 mm

## Master Clamp With Adjustable Rod Hanger

### Technical data

- Rod height adjustable by sliding
- Steel construction with a zinc plate finish
- Max Loading: 20 Kg

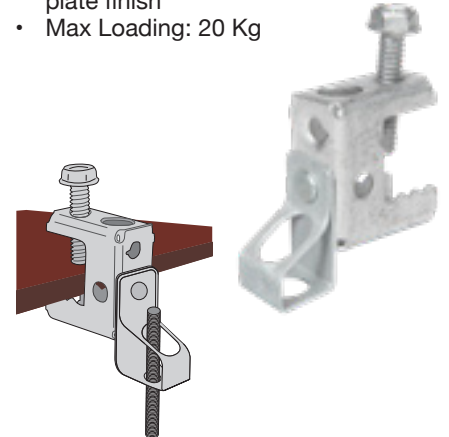


Code	Girder Size	Rod Size
FC107-PRC4	≤16 mm	4
FC107-PRC6	≤16 mm	6

## Master Clamp With Threaded Rod Hanger

### Technical data

- Adjustable rod height
- For threaded rod up to M10
- Steel construction with a zinc plate finish
- Max Loading: 20 Kg

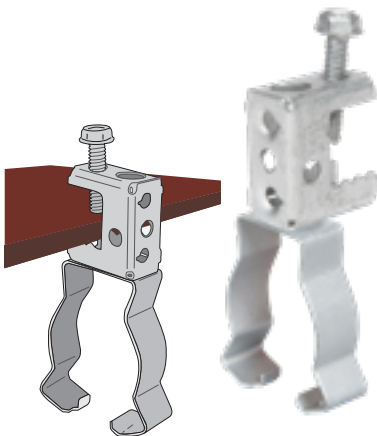


Code	Girder Size	Rod Size
FC107-VRH6T	≤16 mm	M6
FC107-VRH8T	≤16 mm	M8
FC107-VRH10T	≤16 mm	M10

## Master Clamp With Locking Conduit Clip

### Technical data

- 360° swivel of clip
- For pipe or cable fixing
- Conduit clip with jaw locking
- Max Loading: 7 Kg

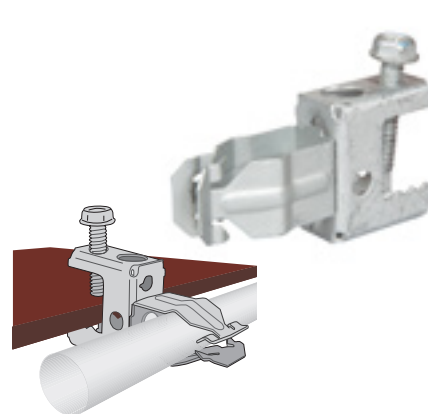


Code	Girder Size	Conduit Size Ø
FC65-CC1219	≤16 mm	12 - 19 mm
FC65-CC1926	≤16 mm	19 - 26 mm
FC65-CC2632	≤16 mm	26 - 32 mm

## Master Clamp With Snap-In Conduit Clip

### Technical data

- For all pipes 18 - 35 mm
- Securely snap pipes in to position
- Steel construction with a zinc plate
- Max Loading: 7 Kg

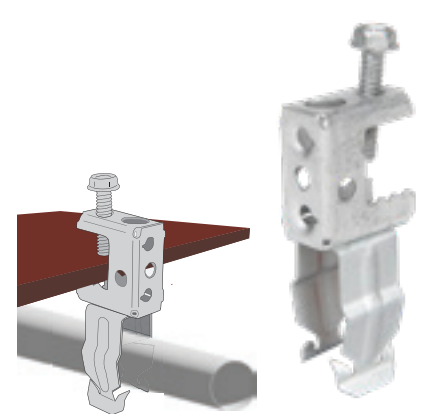


Code	Girder Size	Conduit Size Ø
FC107-OCC1822	≤16 mm	18 - 22 mm
FC107-OCC2230	≤16 mm	22 - 30 mm
FC107-OCC3035	≤16 mm	30 - 35 mm

## Master Clamp With Snap-In Conduit Clip

### Technical data

- For all pipes 18 - 35 mm
- Securely snap pipes in to position
- Steel construction with a zinc plate
- Max Loading: 7 Kg

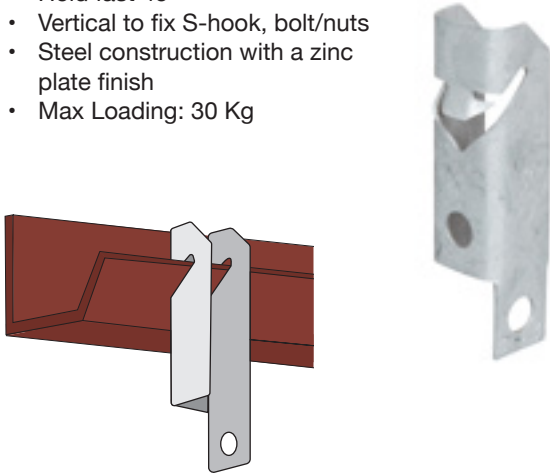


Code	Girder Size	Conduit Size Ø
FC65-OCC1822	≤16 mm	18 - 22 mm
FC65-OCC2230	≤16 mm	22 - 30 mm
FC65-OCC3035	≤16 mm	30 - 35 mm

## Z Purlin Hanger

### Technical data

- For fixing to purlins
- Hold fast 45°
- Vertical to fix S-hook, bolt/nuts
- Steel construction with a zinc plate finish
- Max Loading: 30 Kg

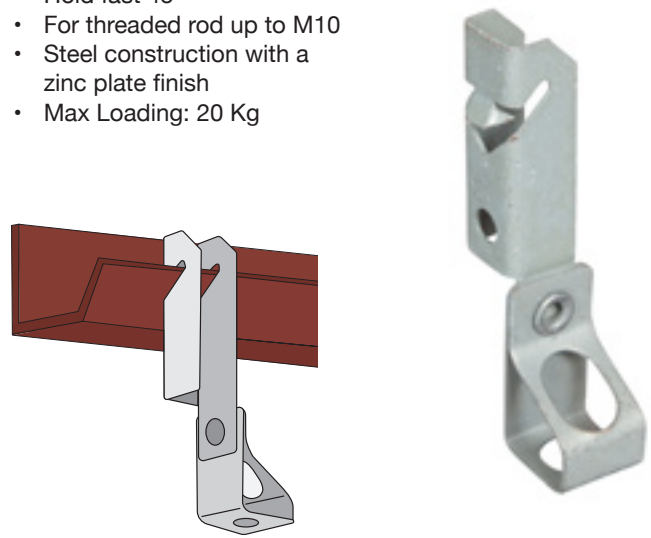


Code	Girder Size
ADH03	≤2.5 mm

## Z Purlin Rod Hanger

### Technical data

- For fixing to purlins
- Hold fast 45°
- For threaded rod up to M10
- Steel construction with a zinc plate finish
- Max Loading: 20 Kg

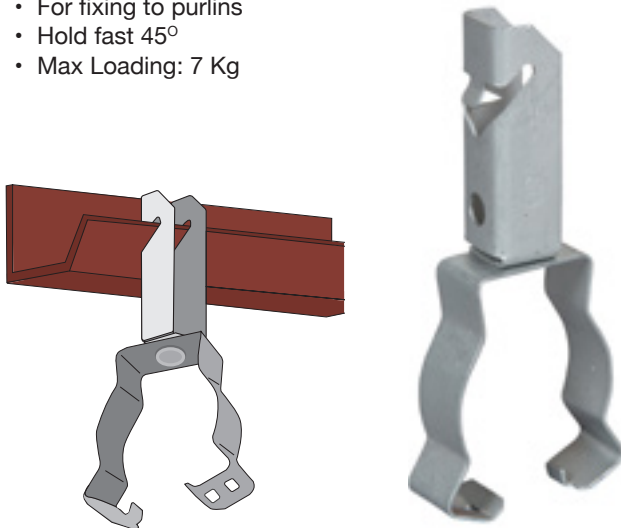


Code	Girder Size	Rod Size
ADH03-VRH6T	≤2.5 mm	M6
ADH03-VRH8T	≤2.5 mm	M8
ADH03-VRH10T	≤2.5 mm	M10

## Z Purlin Locking Conduit Clip Hanger

### Technical data

- Steel construction with a zinc plate
- For fixing to purlins
- Hold fast 45°
- Max Loading: 7 Kg

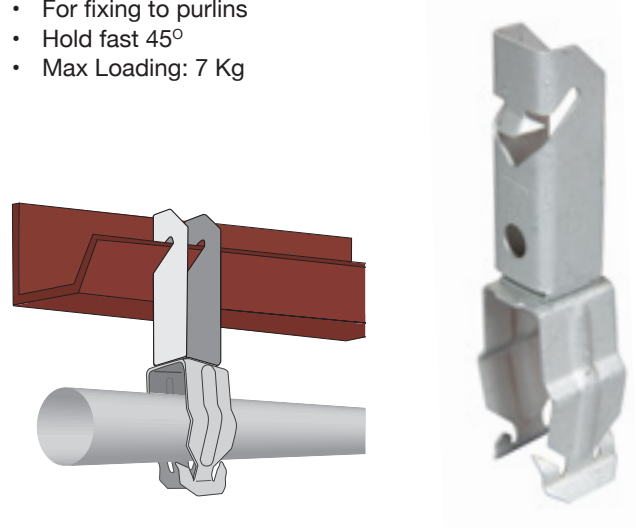


Code	Girder Size	Conduit Size Ø
ADH03-CC1219	≤2.5 mm	12 - 19 mm
ADH03-CC1926	≤2.5 mm	19 - 26 mm
ADH03-CC2632	≤2.5 mm	26 - 32 mm

## Z Purlin Conduit Clip Hanger

### Technical data

- Steel construction with a zinc plate
- For fixing to purlins
- Hold fast 45°
- Max Loading: 7 Kg



Code	Girder Size	Conduit Size Ø
ADH03-OCC1822	≤2.5 mm	18-22 mm
ADH03-OCC2230	≤2.5 mm	22-30 mm
ADH03-OCC3035	≤2.5 mm	30-35 mm

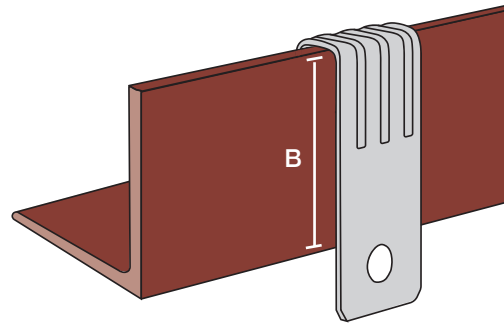


## Hanger Clip

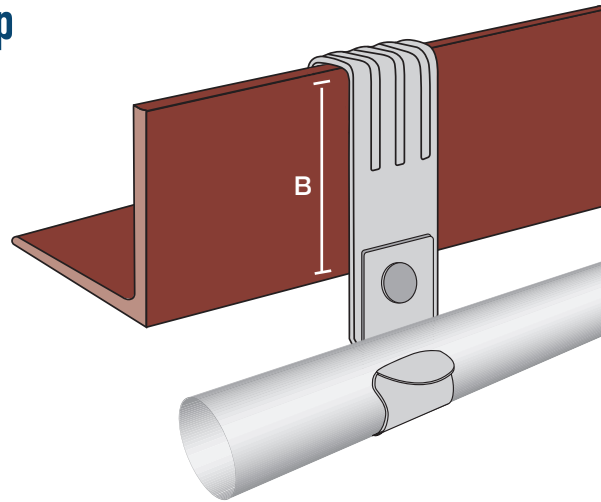
### Technical data

- With fixing hole (Ø 6.5 mm)  
vertical to fix S-hook, bolt/nut, etc.
- Max Loading: 70 Kg

Code	Girder Size	B.mm
VH-155	1.5 - 5 mm	30
VH-57	5 - 7 mm	30
VH-410	4 - 10 mm	60



## Hanger Conduit Clip



Code	Girder Size	B.mm	Conduit Size Ø
VH155-S1214	1.5 - 5 mm	30	12 - 14 mm
VH155-S1518	1.5 - 5 mm	30	15 - 18 mm
VH155-S1924	1.5 - 5 mm	30	19 - 24 mm
VH155-S2530	1.5 - 5 mm	30	25 - 30 mm
VH155-S3135	1.5 - 5 mm	30	31 - 35 mm
VH155-S3640	1.5 - 5 mm	30	36 - 40 mm
VH155-S4145	1.5 - 5 mm	30	41 - 45 mm
VH155-S4650	1.5 - 5 mm	30	46 - 50 mm
VH57-S1214	5 - 7 mm	30	12 - 14 mm
VH57-S1518	5 - 7 mm	30	15 - 18 mm
VH57-S1924	5 - 7 mm	30	19 - 24 mm
VH57-S2530	5 - 7 mm	30	25 - 30 mm
VH57-S3135	5 - 7 mm	30	31 - 35 mm
VH57-S3640	5 - 7 mm	30	36 - 40 mm
VH57-S4145	5 - 7 mm	30	41 - 45 mm
VH57-S4650	5 - 7 mm	30	46 - 50 mm

Code	Girder Size	B.mm	Conduit Size Ø
VH410-S1214	4 - 10 mm	60	12 - 14 mm
VH410-S1518	4 - 10 mm	60	15 - 18 mm
VH410-S1924	4 - 10 mm	60	19 - 24 mm
VH410-S2530	4 - 10 mm	60	25 - 30 mm
VH410-S3135	4 - 10 mm	60	31 - 35 mm
VH410-S3640	4 - 10 mm	60	36 - 40 mm
VH410-S4145	4 - 10 mm	60	41 - 45 mm
VH410-S4650	4 - 10 mm	60	46 - 50 mm

## Conduit Clip

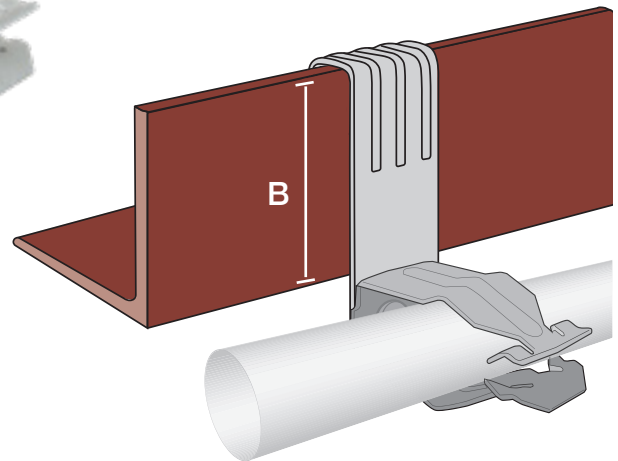
Code	Conduit Size Ø
S1214	12 - 14 mm
S1518	15 - 18 mm
S1924	19 - 24 mm
S2530	25 - 30 mm
S3135	31 - 35 mm
S3640	36 - 40 mm
S4145	41 - 45 mm
S4650	46 - 50 mm



## Hanger Clip With Conduit Combination

### Technical data

- Max Loading: 7 Kg

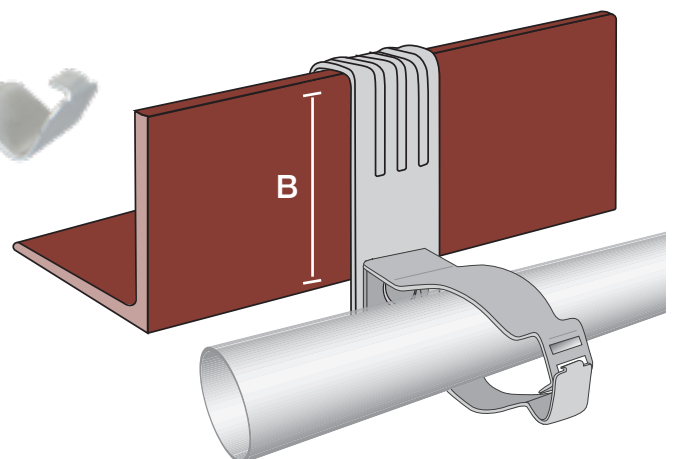


Code	Girder Size	B.mm	Conduit Size Ø
VH155-OCC1822	1.5 - 5 mm	30	18 - 22 mm
VH155-OCC2230	1.5 - 5 mm	30	22 - 30 mm
VH155-OCC3035	1.5 - 5 mm	30	30 - 35 mm
VH57-OCC1822	5 - 7 mm	30	18 - 22 mm
VH57-OCC2230	5 - 7 mm	30	22 - 30 mm
VH57-OCC3035	5 - 7 mm	30	30 - 35 mm
VH410-OCC1822	4 - 10 mm	60	18 - 22 mm
VH410-OCC2230	4 - 10 mm	60	22 - 30 mm
VH410-OCC3035	4 - 10 mm	60	30 - 35 mm

## Hanger Clip With Locking Conduit Combination

### Technical data

- Suitable for pipe or cable fixing
- Conduit clip swivels 360°
- Conduit clip with jaw locking
- Max Loading: 7 Kg



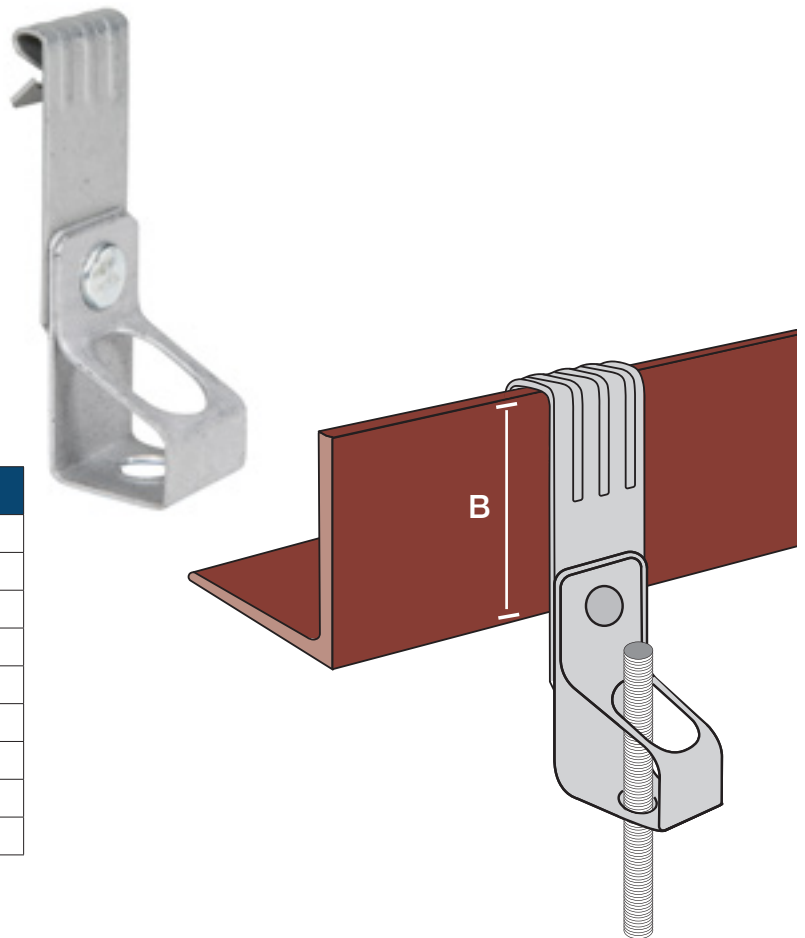
Code	Girder Size	B.mm	Conduit Size Ø
VH155-CC1219	1.5 - 5 mm	30	12 - 19 mm
VH155-CC1926	1.5 - 5 mm	30	19 - 26 mm
VH155-CC2632	1.5 - 5 mm	30	26 - 32 mm
VH57-CC1219	5 - 7 mm	30	12 - 19 mm
VH57-CC1926	5 - 7 mm	30	19 - 26 mm
VH57-CC2632	5 - 7 mm	30	26 - 32 mm

## Hanger Clip with Threaded Rod Hanger

### Technical data

- With threaded rod holder
- Max Loading: 68 Kg

Code	Girder Size	B.mm	Rod Size
VH155-VRH6T	1.5 - 5 mm	30	M6
VH155-VRH8T	1.5 - 5 mm	30	M8
VH155-VRH10T	1.5 - 5 mm	30	M10
VH57-VRH6T	5 - 7 mm	30	M6
VH57-VRH8T	5 - 7 mm	30	M8
VH57-VRH10T	5 - 7 mm	30	M10
VH410-VRH6T	4 - 10 mm	60	M6
VH410-VRH8T	4 - 10 mm	60	M8
VH410-VRH10T	4 - 10 mm	60	M10

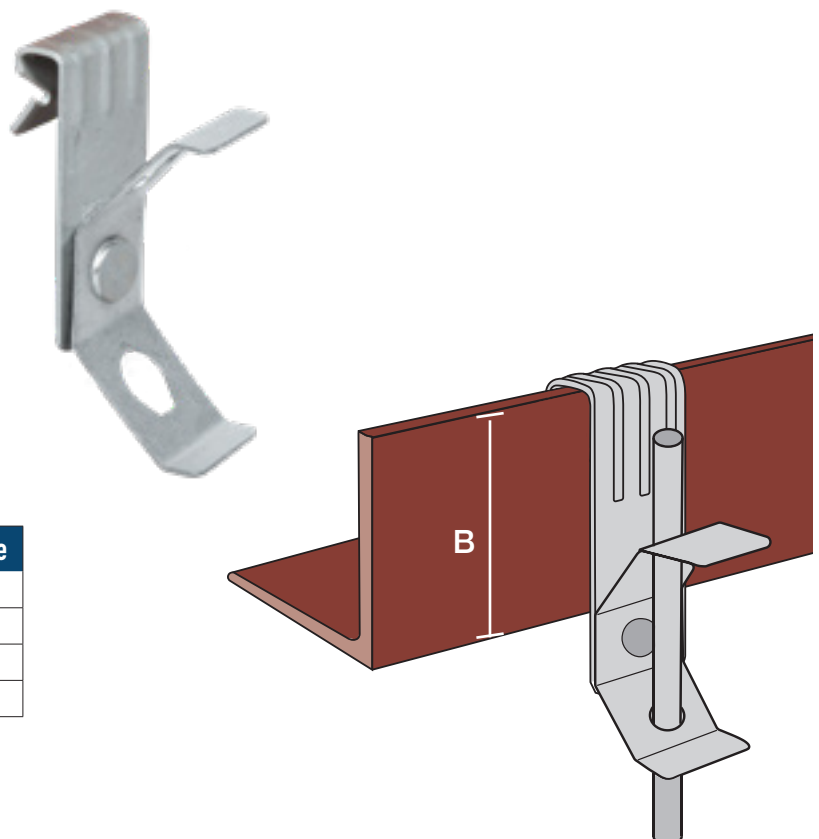


## Hanger Clip With Adjustable Rod Hanger

### Technical data

- Max Loading: 20 Kg

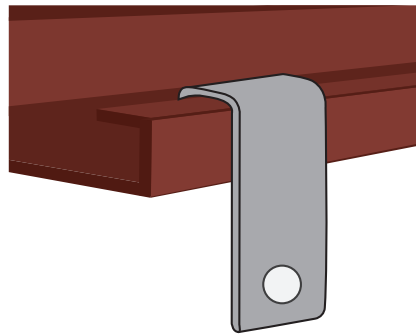
Code	Girder Size	B.mm	Rod Size
VH155-PRC4	1.5 - 5 mm	30	4
VH155-PRC6	1.5 - 5 mm	30	6
VH57-PRC4	5 - 7 mm	30	4
VH57-PRC6	5 - 7 mm	30	6



## Purlin Clip

### Technical data

- Steel construction with a zinc plate
- Max Loading: 20 Kg

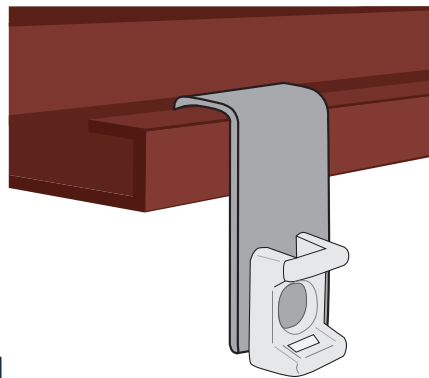


Code	Girder Size
RCC125	≤3.0 mm

## Purlin Clip Cable Tie

### Technical data

- Steel construction with a zinc plate

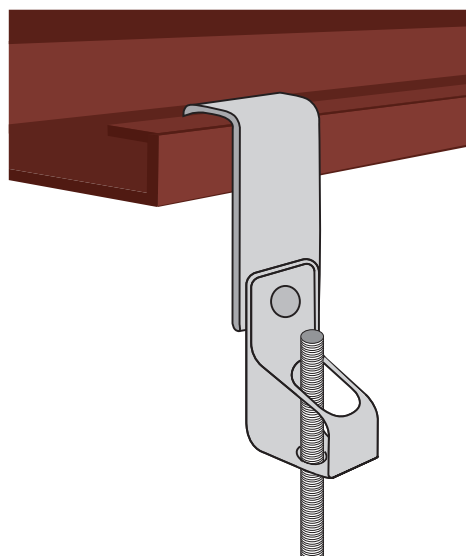


Code	Girder Size
RCC125-CTM	≤3.0 mm

## Purlin Clip Rod Hanger

### Technical data

- Steel construction with a zinc plate
- For threaded rod up to M10
- Max Loading: 20 Kg

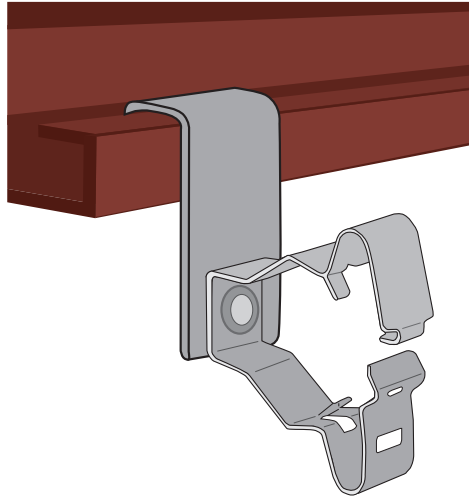


Code	Girder Size	Rod Size
RCC125-VRH6T	≤3.0 mm	M6
RCC125-VRH8T	≤3.0 mm	M8
RCC125-VRH10T	≤3.0 mm	M10

## Purlin Locking Conduit Clip

### Technical data

- Steel construction with a zinc plate
- Max Loading: 7 Kg

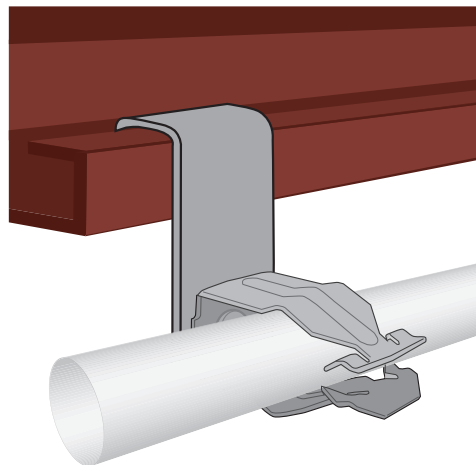


Code	Girder Size	Conduit Size Ø
RCC125-CC1219	≤3.0 mm	12 - 19 mm
RCC125-CC1926	≤3.0 mm	19 - 26 mm
RCC125-CC2632	≤3.0 mm	26 - 32 mm

## Purlin Conduit Clip

### Technical data

- Steel construction with a zinc plate
- Max Loading: 7 Kg



Code	Girder Size	Conduit Size Ø
RCC125-OCC1822	≤3.0 mm	18 - 22 mm
RCC125-OCC2230	≤3.0 mm	22 - 30 mm
RCC125-OCC3035	≤3.0 mm	30 - 35 mm

## Angled Profile Clip

### Technical data

- Steel construction with a zinc finish
- For fixing to purlins
- Max Loading: 45 Kg



Code	Girder Size
AVH-155	1.5 - 5 mm

## Angled Profile Clip With Cable Tie

### Technical data

- Steel construction with a zinc plate
- For fixing to purlins



Code	Girder Size
AVH155-CTM	1.5 - 5 mm

## Angled Profile Clip With Cable Tie

### Technical data

- Steel construction with a zinc plate
- For fixing to purlins



Code	Girder Size
AVH155-CTMET	1.5 - 5 mm

## Angled Profile Clip With Support Strap

### Technical data

- Steel construction with a zinc finish
- For fixing to purlins
- Max Loading: 20 Kg



Code	Girder Size	Max Strap Size
AVH155-SH	1.5 - 5 mm	8 mm x 6.5 mm

## Angled Profile Clip With Rod Hanger

### Technical data

- Steel construction with a zinc plate
- For fixing to purlins
- Max Loading: 45 Kg



Code	Girder Size	Rod Size
AVH155-VRH6T	1.5 - 5 mm	M6
AVH155-VRH8T	1.5 - 5 mm	M8
AVH155-VRH10T	1.5 - 5 mm	M10

## Angled Profile Clip With Conduit Clip

### Technical data

- Steel construction with a zinc plate
- For fixing to purlins
- Max Loading: 7 Kg



Code	Girder Size	Conduit Size Ø
AVH155-OCC1822	1.5 - 5 mm	18 - 22 mm
AVH155-OCC2230	1.5 - 5 mm	22 - 30 mm
AVH155-OCC3035	1.5 - 5 mm	30 - 35 mm





# MISCELLANEOUS FIXINGS

## T Bar Angle Locking Conduit Clip

### Technical data

- For engages over flange to support cable
- Pre-galvanized Steel construction



Code	Box qty
TB65-CC1926	100

## T Bar Straight Bracket

### Technical data

- For engages over flange to support cable
- Pre-galvanized Steel construction



Code	Box qty
TB65	100

## T Bar Angle Bracket

### Technical data

- For engages over flange to support cable
- Pre-galvanized Steel construction



Code	Box qty
TBA-6T	100

## Cable Tie Clip

### Technical data

- Metal saddle for cable tie fixing
- Pre-galvanized Steel construction



Cable Tie not included.

Code	Girder Size	Box qty
CTM-310	3 - 10 mm	100
CTM-1018	10 - 18 mm	100

## Rod Hanger Fixing

### Technical data

- Pre-galvanized Steel construction



Code	Rod Size	Box qty
AH44-VRH6T	M6	100
AH44-VRH8T	M8	100
AH44-VRH10T	M10	100

## T Bar Ceiling Clip & Nut

### Technical data

- 25mm T Bar
- M6 Stud

Code	Load Kg	Stud	Box qty
X-9S	20	M6 X9	100
X-16S	20	M6 X16	100
X-25S	20	M6 X25	100

White version also available



## White T Bar Ceiling Clip

### Technical data

- 25mm T Bar
- M6 Stud



Code	Load Kg	Stud	Box qty
X-9SWH	20	M6 X9	100
X-16SWH	20	M6 X16	100
X-25SWH	20	M6 X25	100

## T Bar Ceiling Clip

### Technical data

- 25mm T Bar
- Available in White to match ceiling track



Code	Load Kg	Box qty
X-CHWH	20	100

## Deck Hanger

### Technical data

- Static loads only
- Steel construction with a zinc plate finish



Code	Box qty
HH-083	100

## Deck Hanger With Threaded Rod

### Technical data

- Static loads only
- Steel construction with a zinc plate finish



Code	Rod Size	Box qty
HH083-VRH6T	M6	100
HH083-VRH8T	M8	100
HH083-VRH10T	M10	100



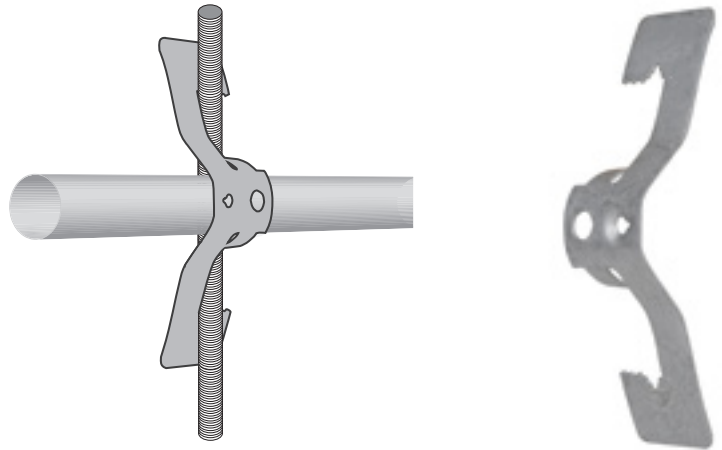
# MISCELLANEOUS FIXINGS

## Conduit Clip

### Technical data

- For fixing threaded rods to steel construction
- Max Loading: 22 Kg

Code	Rod size	Load Kg
RC-313T	M6/M8/M10	22
RC-320T	M6/M8/M10	22



## Conduit Clip With Cable Tie 32mm

### Technical data

- For fixing threaded rods to steel construction

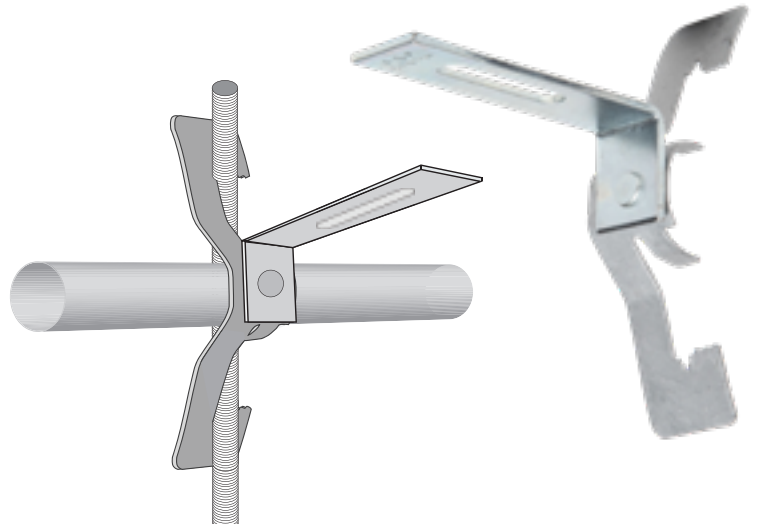


Code	Rod size
RC313T-CTM	M6/M8/M10

## Clip With Light Cable Tray Support Bracket

### Technical data

- For fixing threaded rods to steel construction



Code	Rod size	Load Kg
RC313T-CTB70H	M6/ M8/M10	7

## Gorilla Clamp

### Technical data

- For a solid fixing to steel construction

Code	Girder Size	Rod Size	Box qty
HDC-187	≤18 mm	7 mm PLAIN	25
HDC-189	≤18 mm	9 mm PLAIN	25
HDC-1811	≤18 mm	11 mm PLAIN	25
HDC-2313	≤23 mm	13 mm PLAIN	25
HDC-186T	≤18 mm	6 mm threaded	25
HDC-188T	≤18 mm	8 mm threaded	25
HDC-1810T	≤18 mm	10 mm threaded	25
HDC-2312T	≤23 mm	12 mm threaded	25



## Ceiling

### Technical data

- Steel construction with a zinc plate
- Fitting to wall or ceiling
- Welded connection nut
- 2 fixing slots
- M8 and M10 threaded rob



Code	Box qty
PRT810	100

## Monkey Puzzle

### Technical data

- General purpose clip
- Steel construction with a zinc plate



Code	Box qty
MP-1	100

## Light Cable Tray Support Bracket

### Technical data

- For versatile support
- Steel construction with a zinc plate



Code	Length	Box qty
CTB-70H	70 mm	100

## Strap

### Technical data

- For versatile support
- Steel construction with a zinc plate



Code	Max Strap Size
VSH65	8 mm x 6.5 mm

## Threaded Rod Hanger

### Technical data

- Steel construction with a zinc plate
- With a 6.5 mm fixing hole



Code	Rod Size
VRH6T	M6
VRH8T	M8
VRH10T	M10

## Conduit Clip

### Technical data

- Universally applicable
- Steel construction with a zinc plate



Code	Conduit Size
OCC1822	18 - 22 mm
OCC2230	22 - 30 mm
OCC3035	30 - 35 mm

## Locking Conduit Clip

### Technical data

- Universally applicable
- With jaw lock
- With a 6.5 mm fixing hole



Code	Conduit Size
CC1219	12 - 19 mm
CC1926	19 - 26 mm
CC2632	26 - 32 mm

## Double Conduit Mount

### Technical data

- Supports multi directional conduit
- 360° swivel



Code	Conduit Size
OCC1822-OCC1822	18 - 22 mm
OCC2230-OCC2230	22 - 30 mm
OCC3035-OCC3035	30 - 35 mm

## Double Locking Conduit Mount

### Technical data

- Supports multi directional conduit
- 360° swivel



Code	Conduit Size
CC1219-CC1219	12 - 19 mm
CC1926-CC1926	19 - 26 mm
CC2632-CC2632	26 - 32 mm

## Top Hat Brackets

### Technical data

- Stand-off bracket for cable trays
- Adjustable captive nuts
- Zinc plated steel
- M6 captive nut



Code	Shots	Captive Nut	Width	Height	Length
SOB50LPCN	1	1	30 mm	25 mm	50 mm
SOB75LPCN	1	1	30 mm	25 mm	75 mm
SOB100LPCN	1	2	30 mm	25 mm	100 mm
SOB150LPCN	1	2	30 mm	25 mm	150 mm
SOB225LPCN	2	4	30 mm	25 mm	225 mm
SOB300LPCN	2	4	30 mm	25 mm	300 mm

## Stand Off Brackets With Out Captive Nut

### Technical data

- 25mm standoff allowing easy access
- Elongated fixing holes for linear adjustment
- Ribbed mild steel construction with a zinc plate finish
- 38mm width to give more stability



Code	Size up to	Material Thickness	Slots	Inner	Outer
SOB50LP	50 mm	1.2 mm	1	50	500
SOB75LP	75 mm	1.2 mm	1	50	500
SOB100LP	100 mm	1.2 mm	1	50	500
SOB150LP	150 mm	1.2 mm	1	50	400
SOB225LP	225 mm	1.6 mm	2	20	200
SOB300LP	300 mm	1.6 mm	2	20	160
SOB450LP	450 mm	1.6 mm	3	20	100

## Catenary Wire Kit

### Technical data

- 50m catenary wire kit with accessories
- For use on static loads

### Kit contents:

- 1 x 50m length of Catenary Wire
- 1 Straining Screw
- 2 x Wall Hook and Thimbles
- 4 x Wire Rope Grips



Code	Wire Size [Ø]	Wire Length
CWKIT-3STD	3 mm	50M

## Catenary Wire Rope

### Technical data

- Constructed from galvanised steel wire based on 7x7(wsc) construction
- Supplied on reel

Code	Wire Size [Ø]	Wire Length
CW50-2	2 mm	50M
CW30-3	3 mm	30M
CW50-3	3 mm	50M
CW100-3	3 mm	100M
CW30-4	4 mm	30M
CW50-4	4 mm	50M
CW100-4	4 mm	100M
CW30-6	6 mm	30M
CW50-6	6 mm	50M
CW100-6	6 mm	100M





## Wire Tensioners



Code	Wire Size [Ø]	Box qty
CWT-23	2 mm - 3 mm	10
CWT-46	4 mm - 6 mm	10

## Ring Wall Plates



Code	Box qty
HL50	10

## Wall Hook



Code	Box qty
HW50	10

## Ring Plate



Code	Box qty
HR50	10

## Wire Rope Grips



Code	Wire Size [Ø]	Box qty
CWG-23	2 mm - 3 mm	100
CWG-4	4 mm	100
CWG-6	6 mm	100

## Thimble



Code	Wire Size [Ø]	Box qty
WT-23	2 mm - 3 mm	100
WT-4	4 mm	100
WT-6	6 mm	100

# RONBAR

ELECTRICAL MANUFACTURER AND DISTRIBUTOR



Unit 2 Crowther Road, Crowther Industrial Estate  
Washington, Tyne & Wear NE38 0AQ.



[www.ronbar.co.uk](http://www.ronbar.co.uk)



[sales@ronbar.co.uk](mailto:sales@ronbar.co.uk)



0191 4161517



0191 4161521



## YOU CAN FOLLOW US ON SOCIAL MEDIA

Please note: The information given is provided on the basis that errors, omissions and amendments are excepted. As part of the programme of on-going product development, Ronbar reserves the right to change product specifications without prior notice. All information provided is correct at the time of first publication, whether in digital or print form. Third party approvals where indicated may apply only to certain product sizes, please check with us for clarification. Application information and product data is provided for guidance only and does not constitute a warranty of any kind whether expressed or implied in respect of Ronbar products or their suitability for a particular purpose.